

MOUNTING KITS SWITCHBOX FOR ECON BALL VALVE

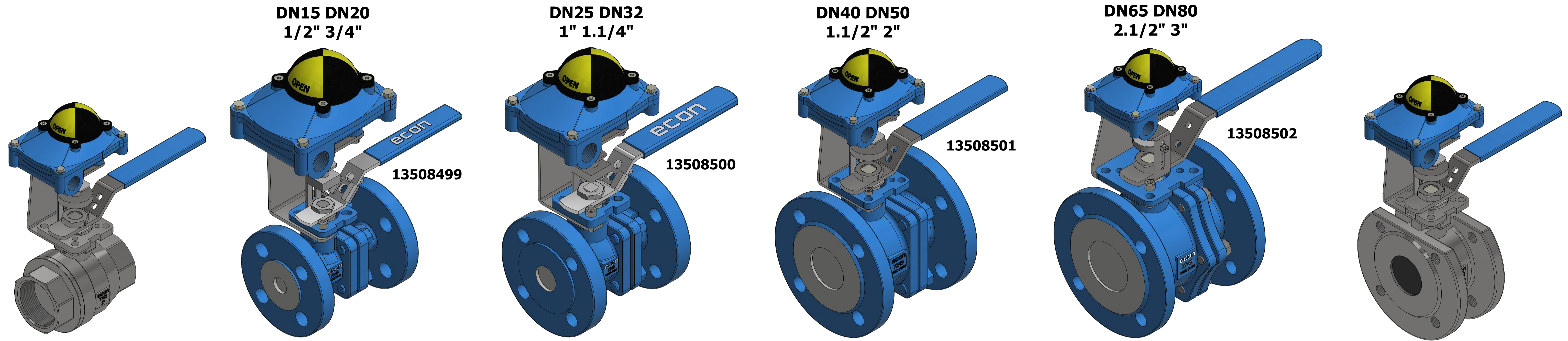
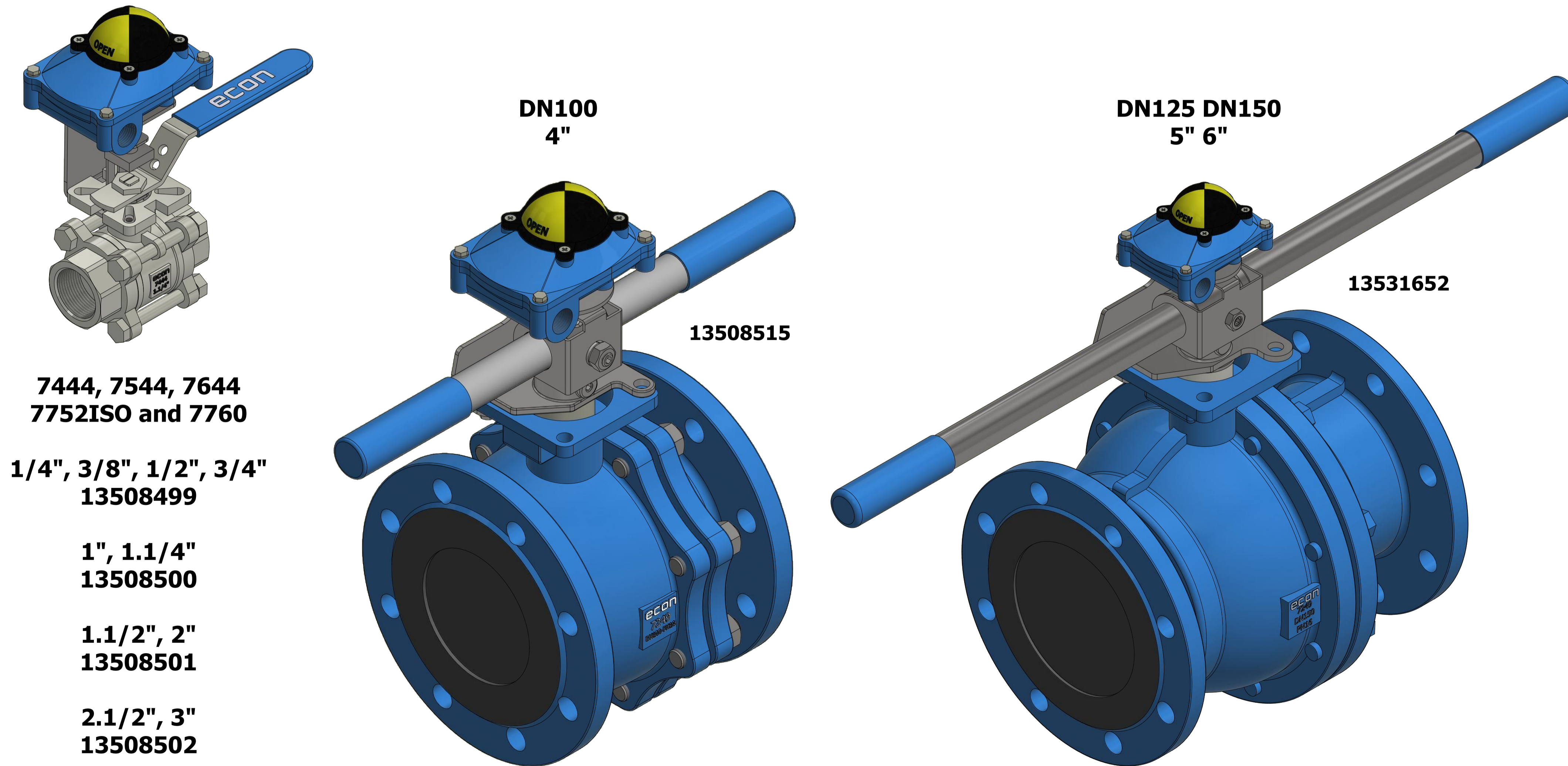


FIG. 7245, 7249, 7257, 7285, 7289, 7297, 7343, 7383, 7444, 7544, 7644, 7752ISO AND 7760



7444, 7544, 7644
7752ISO and 7760

1/4", 3/8", 1/2", 3/4"
13508499

1", 1.1/4"
13508500

1.1/2", 2"
13508501

2.1/2", 3"
13508502

4"
13508515

ALL THESE COMBINATIONS ARE POSSIBLE!

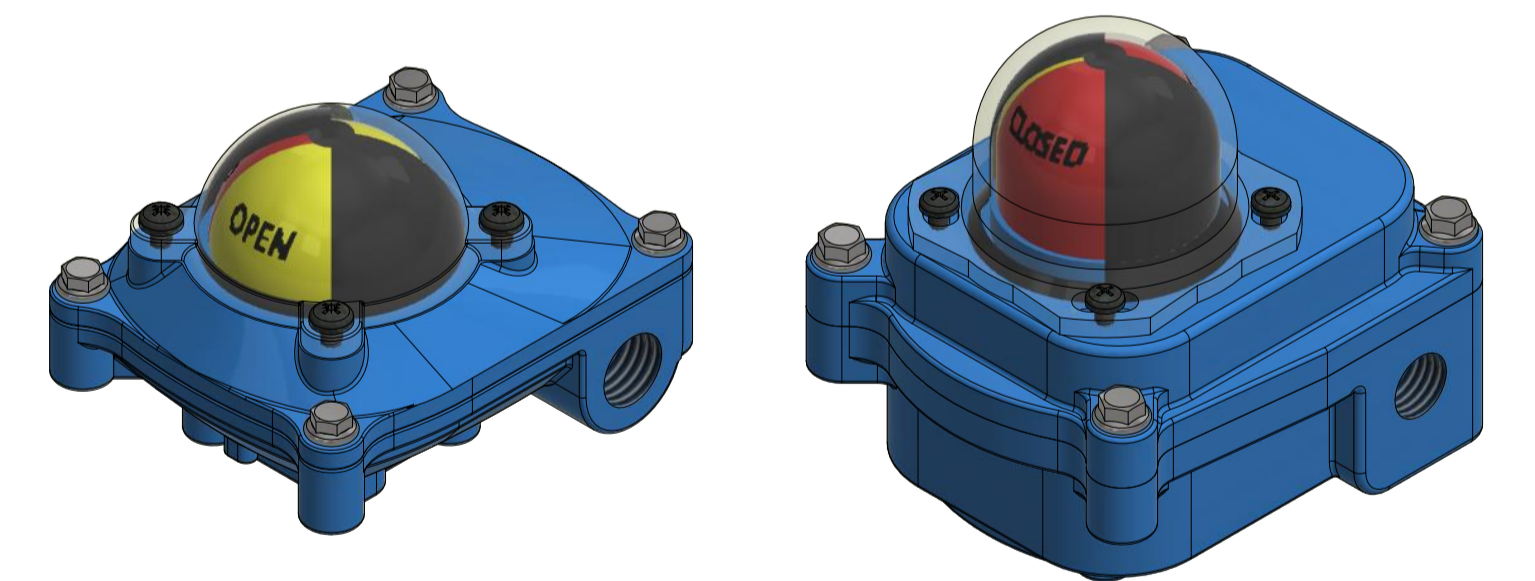


FIG. 79651

FIG. 79652

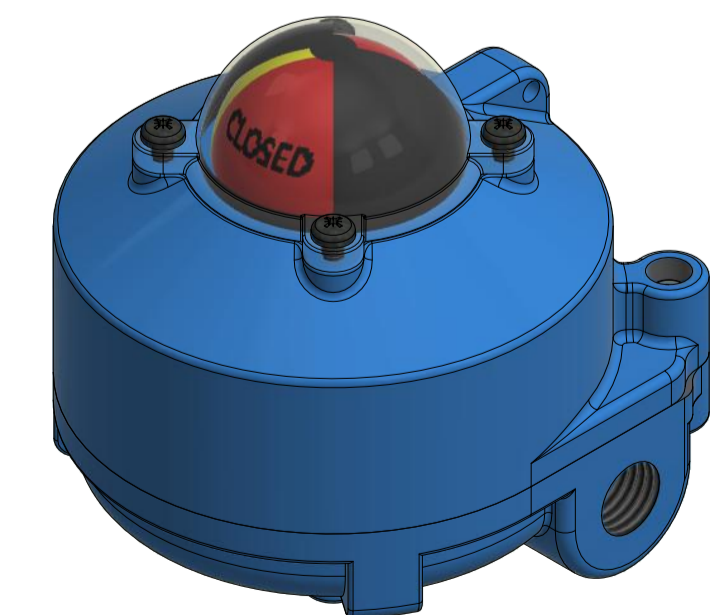


FIG. 79653



**MOUNTING PLATE FOR INDUCTIVE SENSOR
FIG. 7964**